

TECHNICAL TIPS

CRANES

Type of Tip:

Engine Does Not Start

Necessary Tools:

Personal Observation
Multimeter as needed

Applicable Models:

HC110-1 / HC120 / HC285

My Terex
CRANES

MYTEREXCRANES.COM



 **TEREX**

f  

TECHNICAL TIPS

CRANES



Basic Safety Rules



Danger

Failure to follow the instructions and safety rules in the Operator's Manual and Service Manual appropriate to your machine will result in death or serious injury. Many of the risks identified in the operator's manual are also safety risks when maintenance and repair procedures are performed.

Do not perform maintenance unless:

- You are trained and qualified to perform maintenance on this machine.
- You read, understand and obey:
 - The manufacturer's instructions and safety rules
 - Employer safety rules and workplace regulations
 - Applicable government regulations

- You have the appropriate tools, lifting equipment and a suitable location.

The information contained in this technical tip is a supplement to the service manual. Consult the appropriate service manual for your machine for safety rules and risks.

TECHNICAL TIPS

CRANES

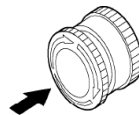
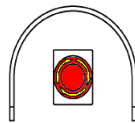


One or More of the E-Stops are Engaged

- There are three E-Stops on these machines. One is in the cabin and there is one at the main winch and the boom hoist winch. All three switches are in series and must be closed to start the engine.
- Indicator light RL9 will come on. Lamp is located on the indication panel behind the operator's seat



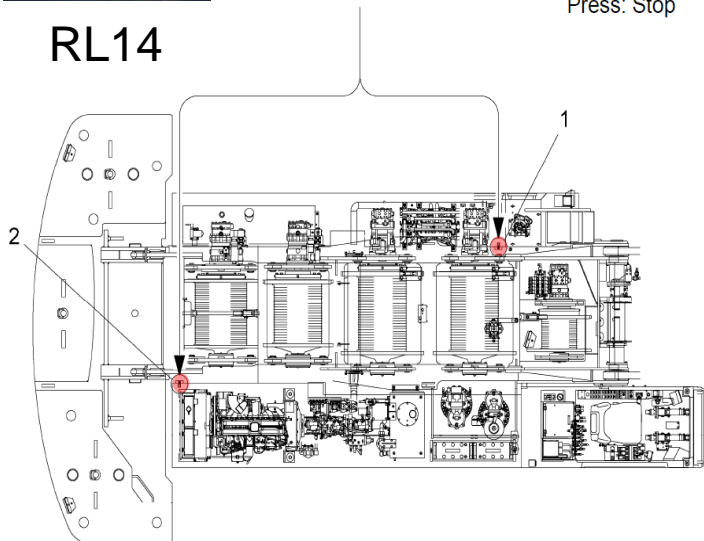
RL14



Press: Stop



Turn to the right:
Release lock



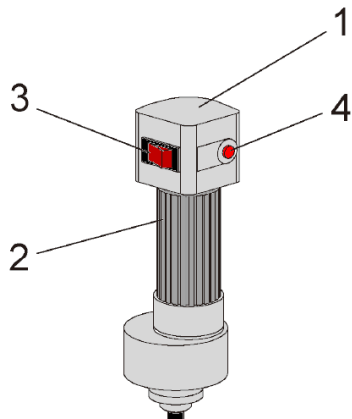
TECHNICAL TIPS

CRANES



The Swing Brake Isn't Set

- If the swing brake isn't set the engine will not start.



1 – Swing Lever

2 – Grip Throttle

3 – Swing Brake

4 – Horn Button

Engine Start Interlock
Pilot Lamp

Main Electrical Panel
Winch Mode Key Switches
Control Relays & Fuses

T4 / X91 / X94 Relay Location
Behind Seat Under Panel

Starter Relay Panel

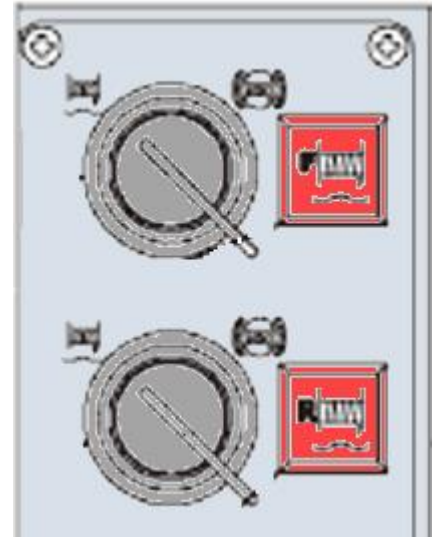
TECHNICAL TIPS

CRANES



Winch Free Fall Mode Key Switch is ON

- All winch mode key switches must be in the Automatic mode in order to start the engine. The winch mode light for winch will flash.



In all three cases the indicator light RL9 will come on and a buzzer will sound. Lamp is located on the indication panel behind the operator's seat



RL9